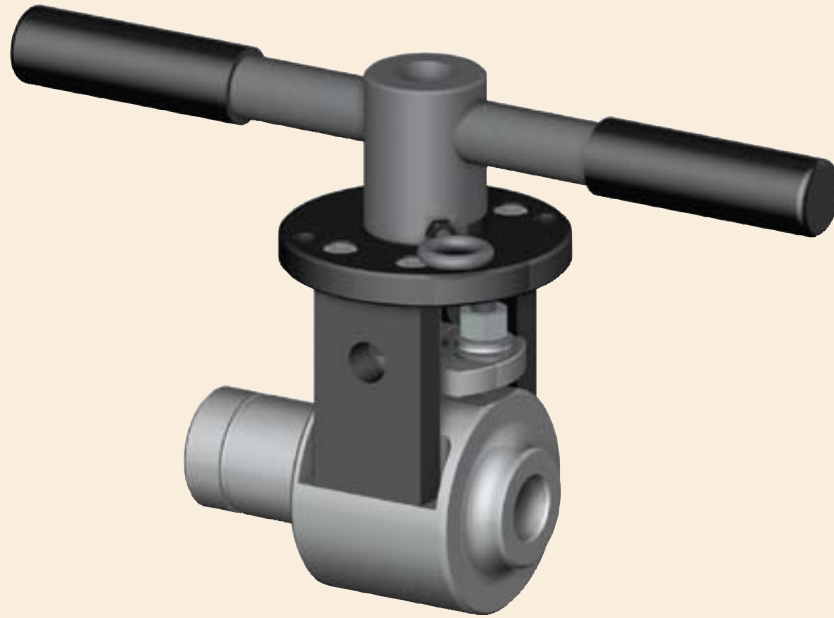


# ACCUSEAL® SPV METAL SEATED BALL VALVE FOR POWER



## GENERAL DESCRIPTION:

The Array Accuseal® SPV Metal Seated Ball Valve for Power offers a proven design, precision machining, and advanced engineering creating a reliable metal seated isolation valve for critical equipment within the Power industry.

Advances in coating technology and design allow the SPV to provide absolute isolation with longer life expectancy in critical service applications. Chrome Carbide Plus and Specialty Fusion coatings make the SPV the leader in Metal Seated Ball Valve sealing integrity. Additionally, Array offers a complete line of Accuseal® Ball Valves for Power applications including our CSV Critical Service Ball Valve which utilizes the same high integrity coatings as found on the SPV.

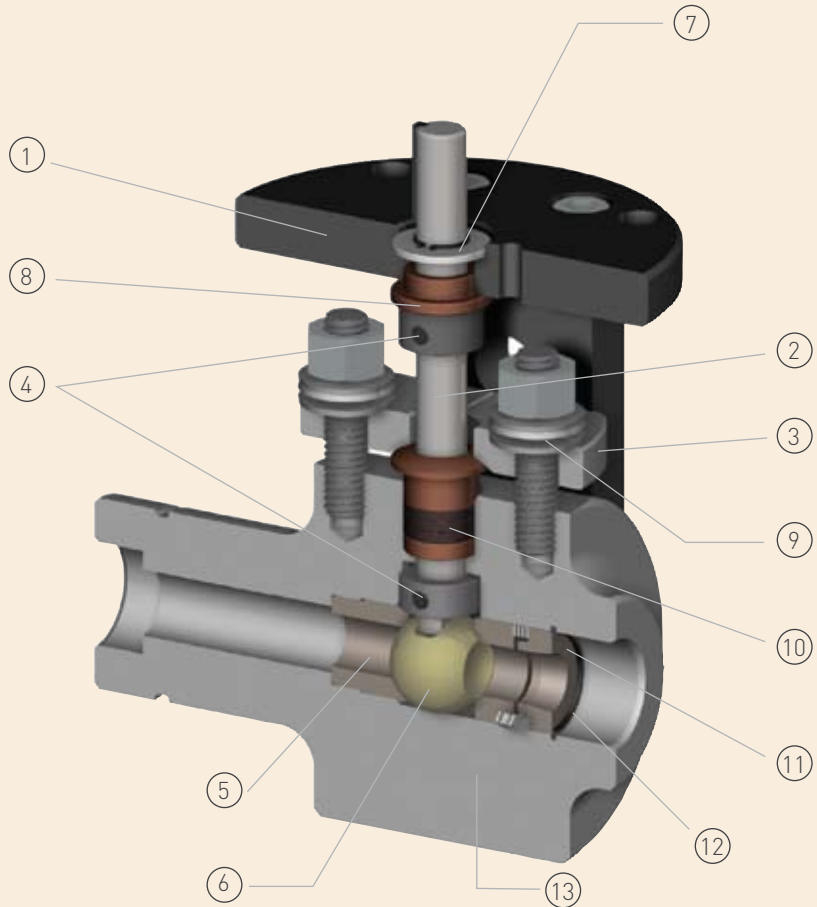
## FEATURES AND BENEFITS

- 1/2" thru 2 1/2 Nominal Pipe Sizes
- 1500 lbs thru 4500 lbs ASME Limited Class
- Carbon Steel, SA182-F22, SA182-F91 – plus other body materials
- Stainless Steel and Inconel Trim
- Chrome Carbide Plus Coated for Increased Performance
- Fused Coatings Available for the Most Stringent Applications
- ASME B16.34 Compliant Blow Out Proof Stems
- Larger Bores
- Higher Flows
- Optimized Flow Paths
- Bubble Tight Shut-Off
- ISO 5211 for Easy Automation
- Integral Stops, No Guess Work
- Butt Weld End Connects Available
- Axially Secured Stem Prevents it From Being Pushed Down During Automation

# ACCUSEAL® SPV METAL SEATED BALL VALVE FOR POWER

## PARTS LIST

NO.	DESCRIPTION
1	Mounting Flange Drilled with ISO Mounting Pattern
2	ASME B16.34 Compliant Stem
3	Articulating Gland Flange
4	Retaining Pin
5	Pressed-In Seat
6	Mate-Lapped Ball and Seat
7	Stem Retainer
8	External Stem Bearing
9	Live Loading Belleville Springs
10	Grafoil Packing
11	Transition Piece
12	Load Ring/Retaining Ring
13	Single Piece Body

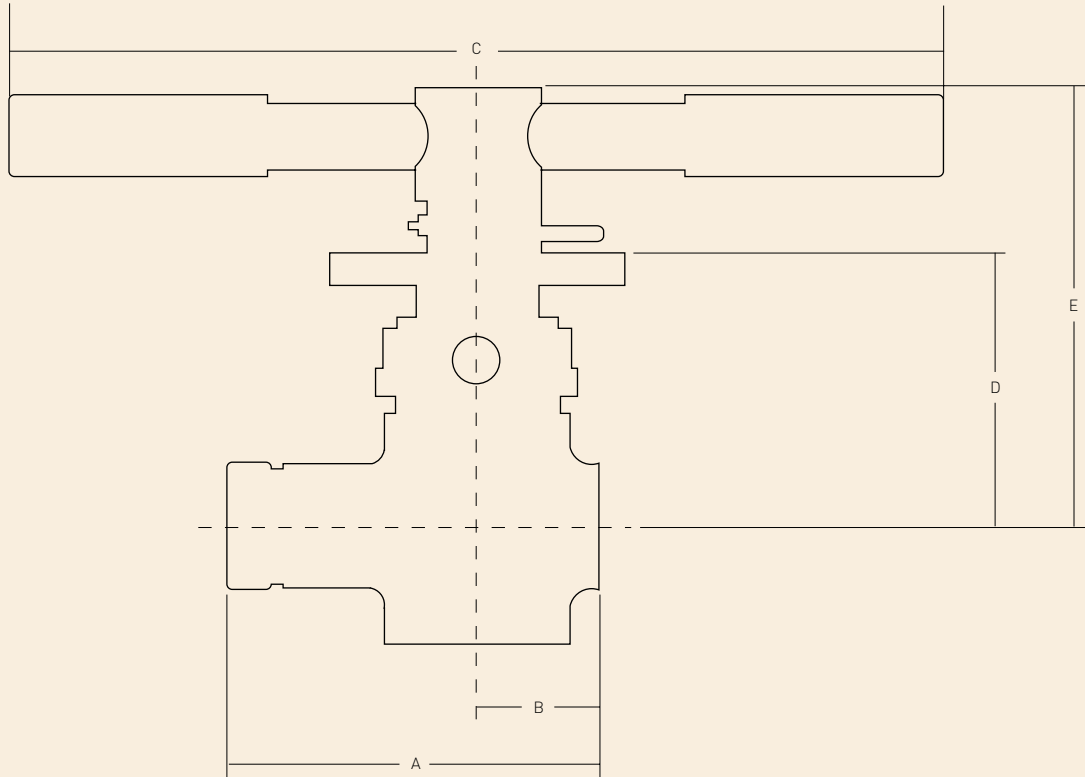


Limited Class Pressure Ratings vs. Temperature (ANSI B16.34)

	Temp. (-20° to 100° (°F))	200°	300°	400°	500°	600°	650°	700°	750°	800°	850°	900°	950°	1000°	1050°	1100°	
	Temp. (-29° to 38° (°C))	93°	149°	204°	260°	316°	343°	371°	399°	427°	454°	482°	510°	538°	566°	593°	
1500/lbs Limited	A105	3750	3750	3700	3665	3665	3665	3575	3455	3170	2570	n/a	n/a	n/a	n/a	n/a	
	F22	3750	3750	3695	3640	3620	3605	3580	3535	3535	3535	3385	3000	2411	1784	1170	732
	F91	3750	3750	3750	3750	3750	3750	3750	3665	3645	3600	3385	3000	2411	2249	2249	2014
3200/lbs Limited	A105	8000	8000	7897	7816	7816	7816	7629	7371	6765	5485	n/a	n/a	n/a	n/a	n/a	
	F22	8000	8000	7885	7762	7725	7691	7634	7543	7543	7543	7225	6400	5269	4131	2701	1695
	F91	8000	8000	8000	8000	8000	8000	8000	7819	7771	7680	7225	6400	5269	5199	5199	4662
4500/lbs Limited	A105	11250	11250	11105	10995	10995	10995	10730	10365	9515	7715	n/a	n/a	n/a	n/a	n/a	
	F22	11250	11250	11090	10915	10865	10815	10735	10605	10605	10605	10160	9000	7555	6213	4063	2546
	F91	11250	11250	11250	11250	11250	11250	11250	10995	10930	10800	10160	9000	7555	7817	7817	7006

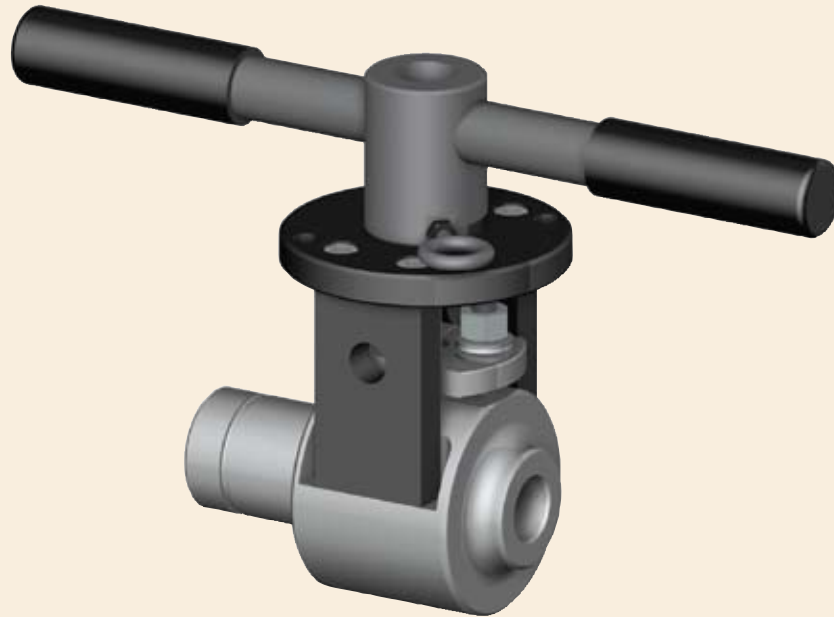
# ACCUSEAL® SPV METAL SEATED BALL VALVE FOR POWER

## DIMENSION TABLE



Model	Bore		A		B		C		D		E		WT
	in	mm	in	mm	in	mm	in	mm	in	mm	in	mm	
SPV055 (1500) 1/2", 3/4", 1"	0.55	14	6.00	152	2.00	51	15	381	4.45	113	6.32	161	16
SPV055 (3200) 1/2", 3/4", 1"	0.55	14	6.00	152	2.00	51	15	381	4.45	113	6.32	161	16
SPV072 (1500) 1", 1 1/2"	0.72	18	6.00	152	2.38	60	15	381	4.45	113	6.32	161	16
SPV072 (3200) 1", 1 1/2"	0.72	18	6.00	152	2.38	60	18	457	4.54	115	6.41	163	18
SPV106 (1500) 1 1/2", 2"	1.06	27	7.25	184	2.63	67	18	457	5.24	133	7.11	181	31
SPV106 (3200) 1 1/2", 2"	1.06	27	7.25	184	2.63	67	18	457	5.27	134	7.45	189	35
SPV134 (1500) 2", 2 1/2"	1.34	34	8.25	210	3.13	80	18	457	5.64	143	7.82	199	45
SPV134 (3200) 2", 2 1/2"	1.34	34	8.25	210	3.13	80	18	457	6.25	159	8.43	214	54
SPV066 (4500) 3/4", 1", 1 1/2"	0.66	17	7.25	184	2.50	64	18	457	5.09	129	6.96	177	29
SPV100 (4500) 1 1/2", 2", 2 1/2"	1.00	25	8.25	210	2.88	73	18	457	6.25	159	8.43	214	52
SPV169 (1500) 2", 2 1/2"	1.69	43	8.50	216	3.50	89	n/a	n/a	7.60	193	n/a	n/a	78

# ACCUSEAL® SPV METAL SEATED BALL VALVE FOR POWER



## LIMITED PRODUCT WARRANTY (SPECIAL WARRANTIES AVAILABLE)

The following warranty is exclusive and in lieu of all other warranties. Whether express, implied or statutory, including, but not by way of limitation, any warranty of merchantability or fitness for any particular purpose.

Array warrants to each original buyer of products manufactured by Array that such products are free from defects in material and workmanship under normal use and service for a period of one (1) year from the date of shipment provided that no warranty is made with respect to: Any product which has been repaired or altered in such a way in ARRAY's judgment, as to affect the product adversely; Any product which has, in ARRAY's judgment, been subject to negligence, accident or improper storage; Any product which has not been operated or maintained in accordance with normal practice and in conformity with recommendations and public specification of Array.

ARRAY's obligation under this Warranty is limited to use reasonable efforts to repair, replace or, at its option, refunding the purchase price. The cost of labor for installing a repair or replacement product shall be borne by Purchaser. Replacement parts provided under the terms of this Warranty are warranted for the remainder of the warranty period of the products upon which they are installed to the same extent as if such parts were original components thereof. Warranty services provided there under do not assume any liability for damages caused by any delays involving warranty service. For complete specification information, prices and name, address and telephone number of the ARRAY representative nearest you, call or write to us at the address below.



16680 Air Center Blvd., Suite 100, Houston, Texas 77032  
Phone: 281.821.8258 • Fax: 281.821.8259 • [www.array.com](http://www.array.com)